



**Block Cutters**  
*On the cutting edge for customers' satisfaction*

# **ORIT B.V.**

User Manual

Handle universal  
H-600-600-1021-000





## Foreword

We congratulate you with your universal handle, this will save you a lot of work. This manual describes the use and maintenance of the H-600-600-1021-000. It is important to read this manual carefully. For your own and your clamp's benefit.

First of all, several features of a general character:

- Control your clamp on receipt
- Whenever there is an incomplete delivery, or there are any damages, report directly
- Before usage, read the manual and the safety instructions
- Not applying the instructions means that all guarantees and liabilities will be terminated
- Changes of the product will give no liabilities to previous delivered products
- Whenever using not original spare parts, the guarantee will be terminated

ORIT strives for a customers' satisfaction.

Whenever there are improvements according to your opinion, we sincerely like to hear from you. Every customer who gives suggestions will receive a small gift.

We wish you a lot of satisfaction with your ORIT H-600.

ORIT B.V.  
Bruijellestraat 8  
5048 AE Tilburg

tel. +31 (0)13 4679128 Fax: +31 (0) 13 4679127  
e-mail: [info@orit.nl](mailto:info@orit.nl)  
Website <http://www.orit.nl>

## Index

1. Introduction
2. Technical Specifications
3. Safety instructions
4. Manual
5. Maintenance
6. Guarantees offered
7. CE-declaration of conformity
8. Recycling



## 1. Introduction

The ORIT H-600 is a clamp, designed for heavy stone lifting, like kerb stones and massive steps. It is strictly forbidden, to use this machine for other purposes.

ORIT B.V. could accept no responsibilities by incorrect or incompetent usage of the clamp.

## 2. Technical specifications

Inside height	: 190 mm
Lifting weight	: 600 Kg.
Gripping range	: 50 – 600 mm
Dead weight	: 34 Kg.

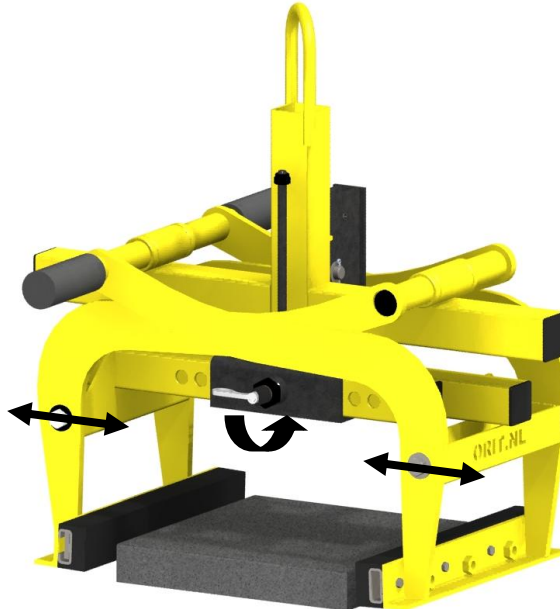
## 3. Safety instructions

The following safety instructions should be followed for a safe use for clamp and operator.

- Minors under the age of 16 are not allowed to operate the clamp.
- The usage of protective goggles while operating the clamp is obligated.
- It is strictly forbidden to touch any moving parts while handling the clamp.
- You are allowed to operate the clamp, with your face facing the clamp and both hands holding the handles. This to prevent any accidents.
- Never place any body parts etc. underneath the clamp while lifting.
- The product may be lifted when the product is dry, clean and covers the whole width of the clamp.

## 4. Manual

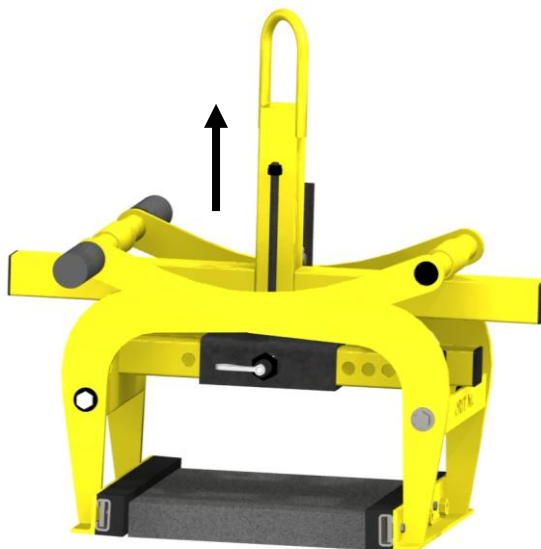
- Lift the clamp at once and adjusted the width of the clamp. This is possible by turning the adjustment pin and adjusting the clamps. Make sure the clamps are positioned correct above the product.



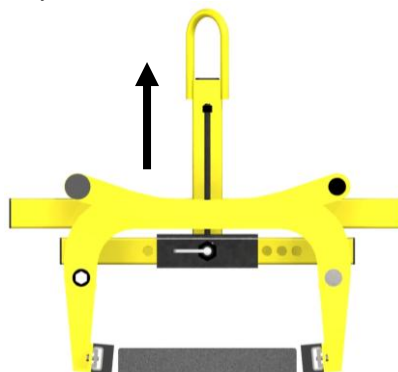
- Lower the clamp until it hits the ground and you heard a 'click'



- Afterwards you will lift the clamp and your product will be lifted.



- Move the clamp to the correct position
- Lower the clamp until it hits the ground and you heard a 'click', the stone will now be released while lifting the clamp



- The clamp will lift automatic in the following cycle:
  - Hit the ground → Clamp
  - Lift
  - Move
  - Lower
  - Hit the ground → Release

## 5. Maintenance

Always use tools that fit perfectly during maintenance, this will avoid damages.

The clamp should be maintained according the next directions to provide a long lifetime with less disturbances.

Daily maintenance

- Clean the clamp after every working day and check for defects.

Monthly maintenance

- Check the clamps for moving freely. If necessary, lubricate the joints.
- Check the clamp for functionality: At the first lift → Clamp; at the second lift → Release.

Yearly maintenance

- Replace rubbers
- Whenever necessary replace Widia tips.

Damaged parts should be without regard the maintenance term replaced immediately for original spare parts. Whenever using not original spare parts, the guarantee will be terminated.



## 6. Guarantees offered

ORIT provides 5 years of guarantee on all parts. Excluded wearing parts like rubbers and Widia tips.

This guarantee accords only for use by normal conditions, and when this manual is followed carefully. This clamp is controlled on material and faults by manufacturing. Your invoice is also your guarantee certificate and should be considered when demanding your guarantee. The machine number should be mentioned. Complaints within the period of guarantee should be mentioned at your ORIT-dealer.

During the period of guarantee, ORIT repairs free of charge when:

- The clamp is used correct and for the right purposes.
- Repairs are performed competent by qualified personnel of your ORIT-dealer
- The invoice is considered with the mentioned machine number

Parts that offer normal wear are not covered.

## Service

After the period of guarantee, your product will be repaired with care. Repairs are only accomplished when the product is sent by reimbursement.

For service and/or repairs outside the period of guarantee could be reported directly at ORIT B.V. in Tilburg

## 7. CE-declaration of conformity ORIT H-600

ORIT B.V. , Bruijellestraat 8, 5048 AE Tilburg

Herewith declares that:

ORIT handle type H-600-600-1021-000

Is in conformity with the provisions of the Machinery Directive and with national implementing legislation  
Directive: 2006/42/EG and EN 13155

This statement is valid considering this manual

Tilburg, Monday 29 April 2013

## 8. Recycling

Steel and rubbers should be recycled.

**ORIT B.V.**

**Drs. F.A.M. Reijnen**  
Director