



**GIANT**<sup>®</sup>  
BY TOBROCO



COMPACT DESIGN  
BIG IN PERFORMANCE

# G2500HD



**1. WORKING COMFORTABLY**

A comfortable and spacious working environment.

**2. WORK SAFELY**

The cabin and safetyroof are internationally ROPS/FOPS certified.

**3. SERVICE**

Daily checks and maintenance to the G2500 HD can be carried out quickly and in a safe manner because service points are easily accessible.

**4. POWERFUL PERFORMANCE**

A new 4 cylinder, Kubota, engine without DOC and DPF system ensures enough power.

**5. COMPACT DESIGN**

The compact dimensions of the G2500 HD ensure that the machines can operate in small spaces.

**6. MANOEUVRABILITY AND STABILITY**

The articulated pendulum joint provides manoeuvrability and stability.

**7. PRODUCTIVITY**

Hydrostatic 4 wheel drive, 2 gears and 8 ton planetary axles for sufficient traction and precise operation.

**8. HYDRAULIC**

Standard equipped with a double acting hydraulic function on lifting arm (mechanical) than can easily be expended with extra hydraulic functions and an electrically switchable tandem pump.

**9. SPEED**

0-10 km/h 0-20 km/h (with 2 gears).

**10. CHOOSE THE MACHINE FOR YOUR WORK**

Depending on your work you choose a standard or X-TRA version with the correct options.

**TECHNICAL DATA**

TYPE	G2500 HD	G2500 HD X-TRA
Service weight <sup>1</sup>	2.400 kg	2.400 kg
Lifting capacity	1.750 kg	2.200 kg
Tipping load <sup>2</sup>	2.050 kg	2.600 kg
<b>DIMENSIONS AND SPEED</b>		
Lifting height <sup>2</sup>	2.964 mm	2.498 mm
Length without bucket	3.247 mm	3.316 mm
Machine height <sup>3</sup>	2.322 mm	2.322 mm
Width on standard tyres	1.100 mm	
Standard tyres	11.5/80-15.3 AS	
Travel speed	0-10 km/h 0-20 km/h	
<b>ENGINE</b>		
	Kubota D1505 (STAGE V)	
Cylinders	4	
Engine power	26 hp / 19 kW	
Type	Diesel	
Fuel tank capacity	47 L	
Oil capacity	54 L	
<b>POWERTRAIN</b>		
Type	Hydrostatic 4 wheel drive	
Transmission	Automotive control	
Differential	Limited slip on both axles	
Final drive	8 tons planetary axles	
Pulling force	18.000 N	
Driving hydraulics	84 l/min (350 bar)	
Working hydraulics	42 l/min (210 bar)	
Parking brake	Drum brakes	

**STANDARD MACHINE FEATURES**

	G2500 HD	G2500 HD X-TRA
Double acting valve at the front (mechanical)	Std	Std
Floating position on lifting cylinder(s)	Std	Std
ROPS / FOPS safetyroof incl. safety doors left and right	Std	Std
Hydraulic servicebrake on 4 wheels	Std	Std
Luxury air suspended seat with safety belt, armrest and extended backrest	Std	Std
Main switch	Std	Std
Towing hook	Std	Std
1 Counterweight integrated into the bumper	Std	Std
Working light (halogen) at the front	Std	Std
Cyclone filter	Std	Std
Oil cooler	Std	Std

<sup>1</sup> Measured with earthbucket  
<sup>2</sup> Measured with hinge point in straight position on standard tyres  
<sup>3</sup> Measured on standard tyres with safety roof

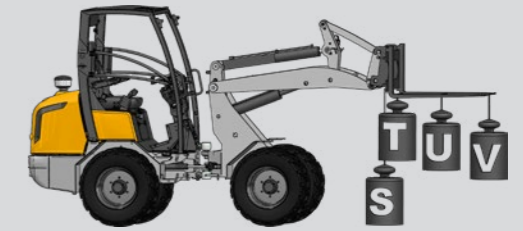
**POWERFUL PERFORMANCE WITH G2500 HD (X-TRA)**

The G2500 HD (X-TRA) operates in the 2.5 tonnes class with an operating weight of 2.400 kg. The articulated loader are powered by a 4- cylinder, Kubota engine without DOC and DPF. Both machines have hydrostatic 4 wheel drive, 2 gears and 8 ton planetary axles. Together with the limited slip on both axles, this drive ensures that the wheel loaders have sufficient traction (18,000 N) and moves smoothly for precise operation.

The compact design of the G2500 HD makes it possible to work in places with limited space. The limited height of 232 cm also offers the possibility to carry out work indoors. Optionally, the models can be equipped with a ROPS / FOPS, folding safety roof. This reduces the machine height with another 34 cm. The G2500 HD has a lifting height of 2.96 meters and tipping load of 2,050 kg. The X-TRA model has a lifting height of 2.49 meters and a tipping load of 2,600 kg.



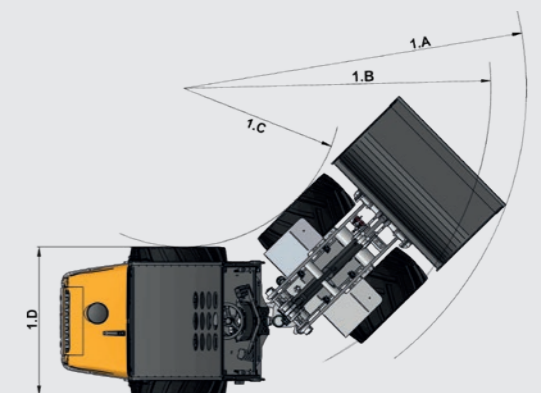
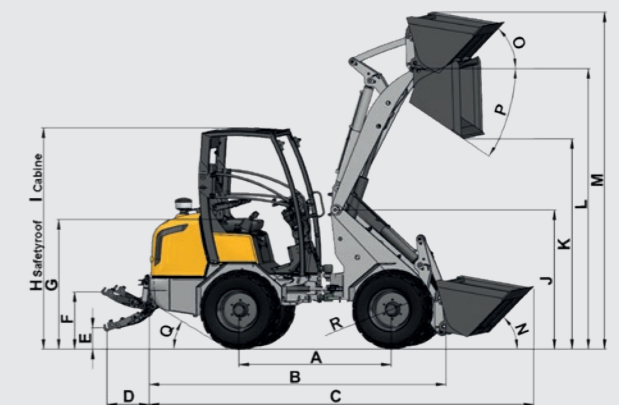
**TIPPING LOADS**



	G2500 HD	G2500 HD X-TRA
S	2.050 kg	2.600 kg
T	1.580 kg	1.850 kg
U	1.100 kg	1.320 kg
V	850 kg	1.050 kg
W	2.525 kg	2.700 kg
X	1.660 kg	1.700 kg
Y	1.150 kg	1.250 kg

**MEASUREMENTS**

	Unit	G2500 HD	G2500 HD X-TRA
A Wheelbase	mm	1.643	1.695
B Total length	mm	3.247	3.316
C Length with bucket	mm	4.015	4.085
D Length 3 point hitch	mm	540	540
E 3 Point hitch in lowest position	mm	253	253
F 3 Point hitch in highest position	mm	652	652
G Seat height	mm	1.341	1.341
H Max. height with safety roof	mm	2.322	2.322
I Max. height with cabin	mm	2.345	2.345
J Height front frame	mm	1.731	1.492
K Max. dumping height	mm	2.144	1.735
L Lifting height	mm	2.964	2.498
M Height with bucket	mm	3.532	3.070
N Rollback angle on the ground	degrees	43	42
O Rollback angle at max. lift height	degrees	45	47
P Max. angle for bucket emptying	degrees	43	37
Q Drive-up angle	degrees	28	28
R Outer size of tires	ø mm	850	850
1D Width on standard tyres	mm	1.080	1.080
1A Turning radius with bucket	mm	2.972	3.045
1B Turning radius on outer edge	mm	2.560	2.623
1C Inner turning radius	mm	1.460	1.523



# ONE MACHINE FOR EVERY JOB!



INFRASTRUCTURE



AGRICULTURAL



CONSTRUCTION & DEMOLITION



EQUINE INDUSTRY



FORESTRY



GOVERNMENT & MUNICIPALITIES



MATERIAL HANDLING



NURSERIES



WINTER SERVICE



LANDSCAPING & GROUND CARE

